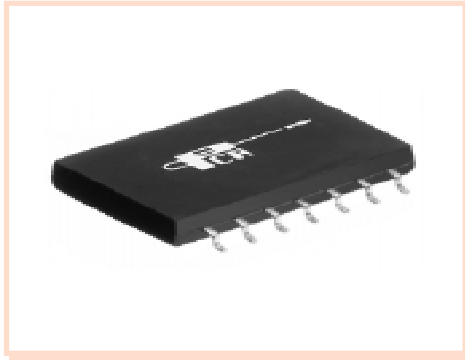


10 Base-T PC Card Module with Enhanced CMA and Resistor Network

EPE6169G



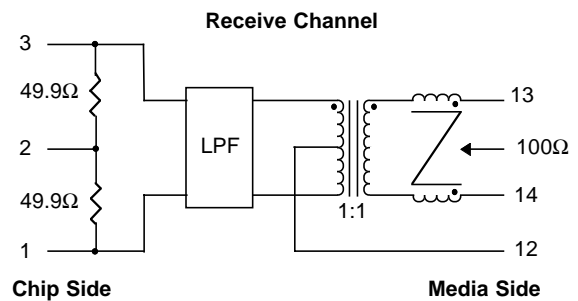
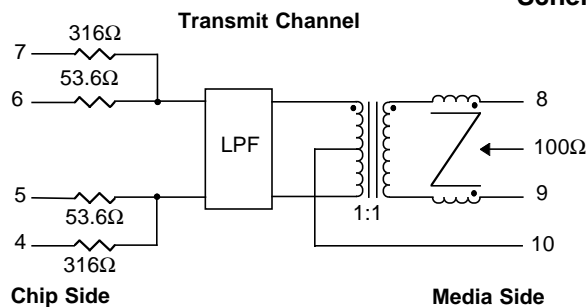
- Recommended for ASIC PC Card PHY •
- Robust construction allows for IR/VP processes •
- Complies with or exceeds IEEE 802.3, 10 Base-T Requirements •

Electrical Parameters @ 25° C

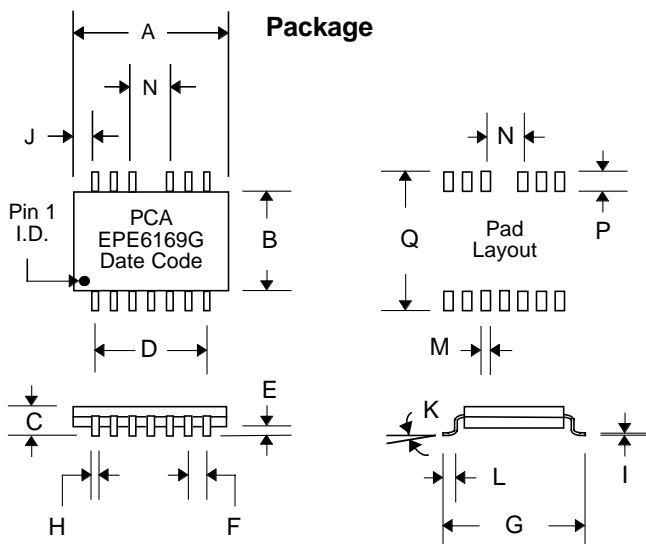
Cut-off Frequency (MHz)	Insertion Loss (dB Max.)		Return Loss (dB Min.)		Attenuation (dB Min.)								Common Mode Rejection (dB Min.)				Crosstalk (dB Min.)					
	± 1.0 MHz	1-10 MHz	5-10 MHz		@ 20 MHz	@ 25 MHz	@ 30 MHz	@ 40 MHz	@ 50 MHz	@ 100 MHz	@ 200 MHz	@ 1-10 MHz										
	Xmit	Rcv	Xmit	Rcv	Xmit	Rcv	Xmit	Rcv	Xmit	Rcv	Xmit	Rcv	Xmit	Rcv	Xmit	Rcv	Xmit	Rcv	Xmit	Rcv		
	17	17	-1	-1	-18	-18	-7	-5	-18	-11	-35	-18	-35	-18	-30	----	-30	----	-30	----	-50	-50

- **Isolation** : meets or exceeds 802.3 IEEE Requirements • Characteristic Filter **Impedance** : 100 Ω •
- *Referenced to the filter output @ 5 MHz for filter only, excluding resistor network •

Schematic



Package



Dimensions

Dim.	(Inches)			(Millimeters)		
	Min.	Max.	Nom.	Min.	Max.	Nom.
A	.780	.800	.790	19.81	20.32	20.07
B	.510	.530	.520	12.96	13.46	13.21
C	.074	.084	.079	1.88	2.13	2.01
D	.595	.605	.600	15.11	15.37	15.24
E	.003	.010	.005	.076	.254	.127
F	.097	.103	.100	2.46	2.62	2.54
G	.660	.680	.670	16.76	17.27	17.02
H	.017	.022	.020	.432	.559	.508
I	.008	.013	.011	.203	.330	.279
J	.090	.100	.095	2.29	2.54	2.41
K	0°	8°	4°	0°	8°	4°
L	.025	.045	.040	.635	1.14	1.02
M	---	---	.030	---	---	.762
N	---	---	.200	---	---	5.08
P	---	---	.085	---	---	2.16
Q	---	---	.700	---	---	17.78

EPE6169G

The circuit below is a guideline for interconnecting PCA's EPE6169G with an ASIC requiring Sonic-T type resistors. Further details of system design, such as chip pin-out, etc. can be obtained from the specific chip manufacturer.

Typical insertion loss of the isolation transformer/filter is 0.7dB. This parameter covers the entire spectrum of the encoded signals in 10 Base-T protocols. However, the predistortion resistor network introduces some loss which has to be taken into account in determining how well your design meets the Standard Template requirements.

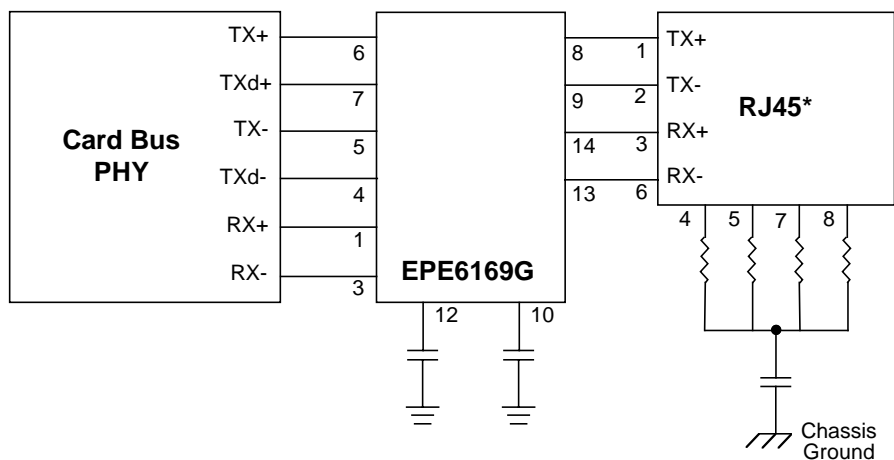
A quick calculation of the effective Thevenin's termination impedance for the filter follows:
 $R(\text{termination}) = 2(53.6/316) \approx 92$. Thus, when measuring the return loss of these parts on the bench, it is necessary to provide a shunting resistor of approximately 7.5Ω representing the four 7.5Ω output signal sources.

The phantom resistors shown around the RJ45 connector have been known to suppress unwanted radiation that unused wires pick up from the immediate environment. Their placement and use are to be considered carefully before a design is finalized.

It is recommended that there be a neat separation of ground planes in the layout. It is generally accepted practice to limit the plane off at least 0.08 inches away from the chip side pins of EPE6169G. There need not be any ground plane beyond this point.

For best results, PCB designer should design the outgoing traces preferably to be $50 (\Omega)$, balanced and well coupled to achieve minimum radiation from these traces.

Typical Application Circuit for UTP PC Card



Notes : * Pin-outs shown are for NIC configurations.